



**96-MA-80-24**

Southco

[Buy Now](#)



Looking for a discount?

[Check out our current promotions!](#)

Give us a call

**1-855-837-4225**

International: 1-415-281-3866

## Email Us

Sales and New Orders: [sales@verical.com](mailto:sales@verical.com)

Order Support: [support@verical.com](mailto:support@verical.com)

Suppliers: [Visit our seller page](#)

## Company Address

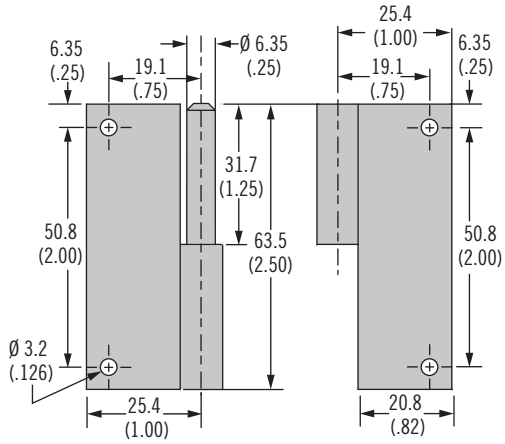
Arrow Electronics, Inc  
9201 East Dry Creek Road  
Centennial, CO 80112

# 96 Hinge Lift-off

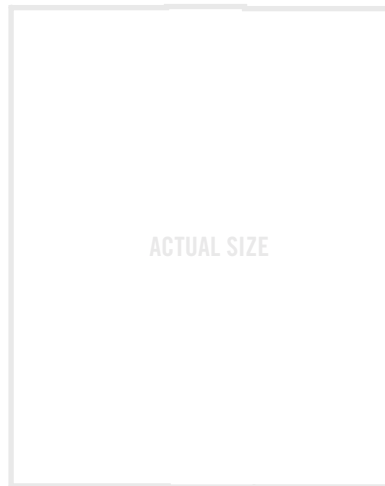
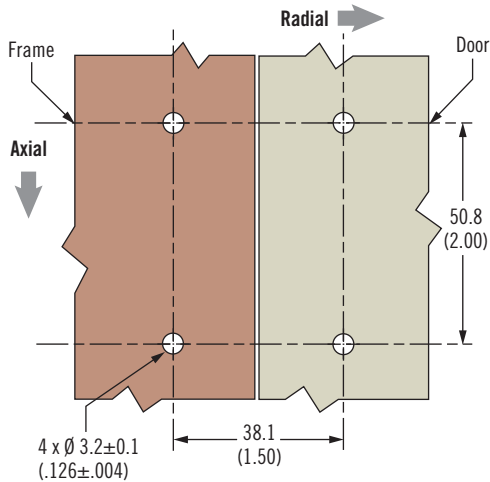
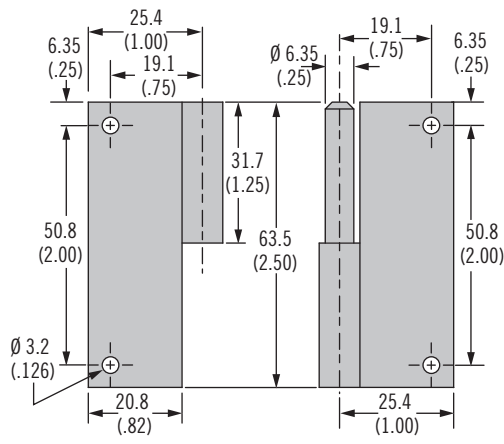


405

## Type A



## Type B



Type "A" application shown

- Allows for quick, easy door removal
- All metal construction

### Material and Finish

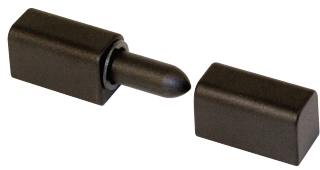
Steel, zinc plated or stainless steel



Material	Part Number	
	Type A	Type B
Steel	96-04-N1WL	96-04-N1WR
Stainless Steel	96-04-S1WL	96-04-S1WR

### Part Number

See table



# 96 Hinge

Lift-off · In-line · Zinc

- Allows for quick, easy door removal
- Door can also be permanently installed

### Material and Finish

Zinc alloy, black powder coated

### Performance Details

	Radial Load	Axial Load
Maximum static load	1300 N (300 lbf)	2200 N (500 lbf)
Average ultimate load	3300 N (750 lbf)	9300 N (2100 lbf)

### Installation Notes

Screws not supplied.

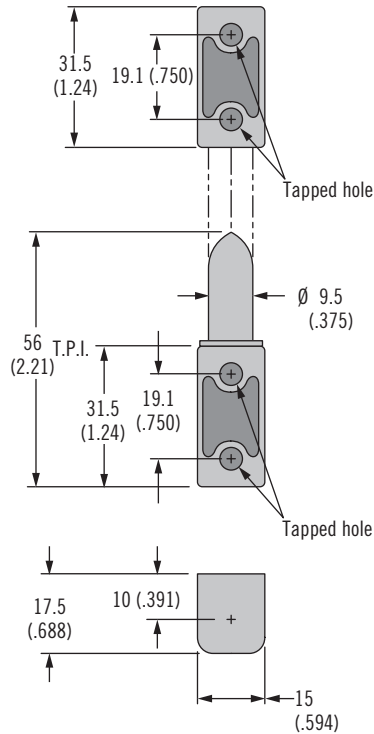
Maximum tightening torque of screw: 8.5 N·m (75 in·lbf)

Calculate screw length using the following formula:

Door thickness + 5 (.200)

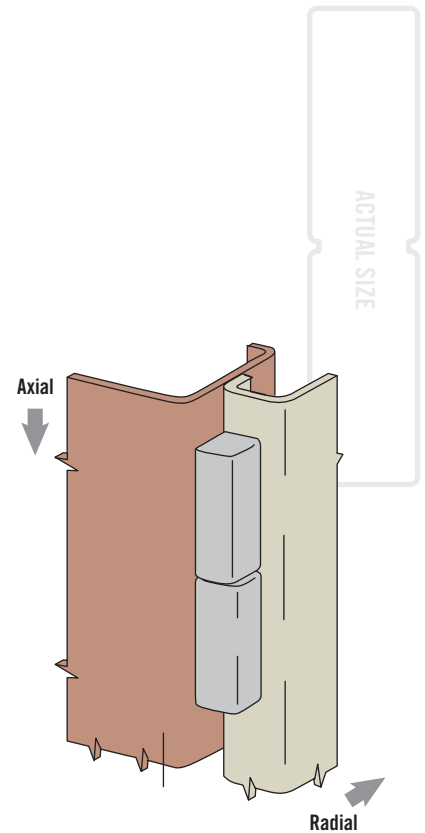
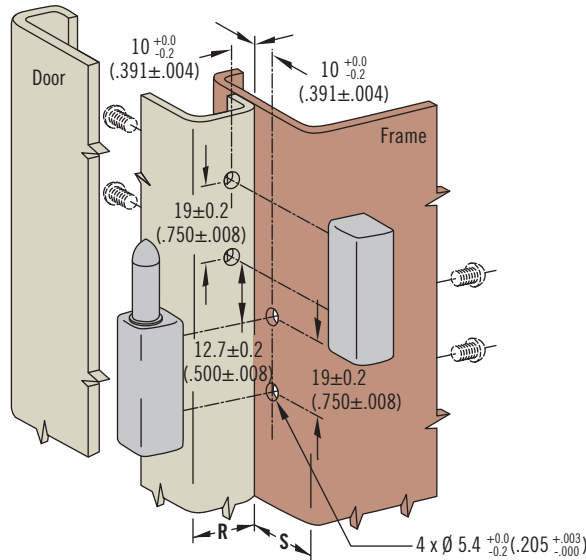
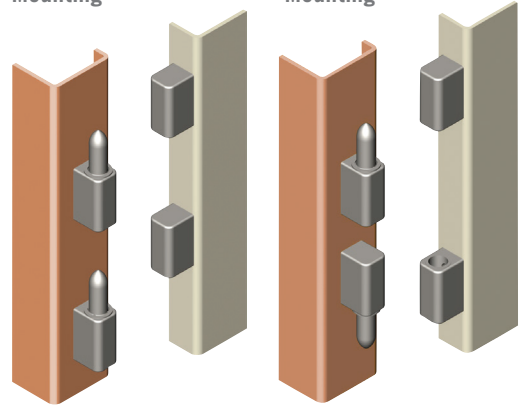
In-line mount preparation:

To allow for 180° rotation R or S must be < 25.4 (1.00).



For Lift-Off Mounting

For Non Lift-Off Mounting



### Part Number

See Table

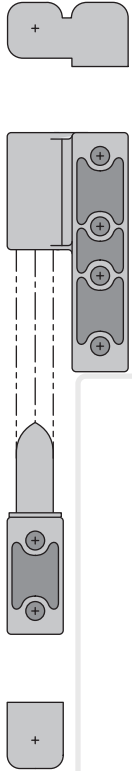
Tapped Hole	Part Number
Imperial 10-32	96-10-500-50
Metric M5 x 0.8	96-50-500-50

# 96 Hinge

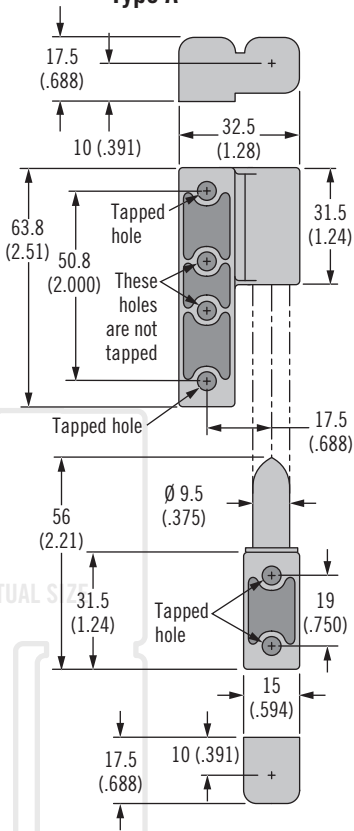
Lift-off · Offset · Zinc



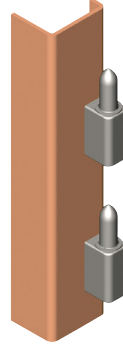
Type B



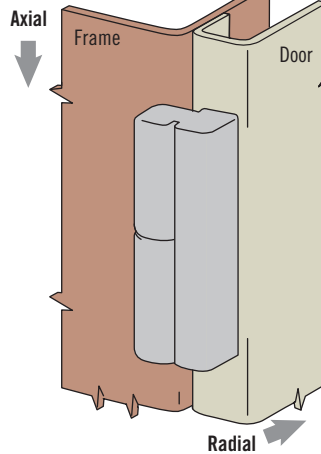
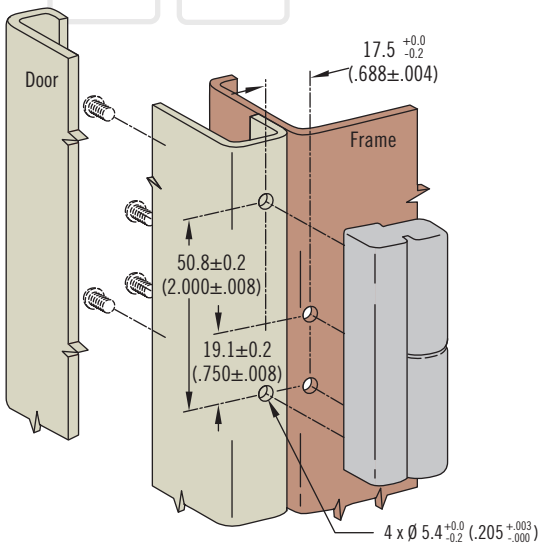
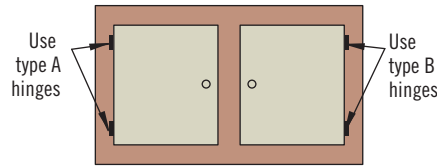
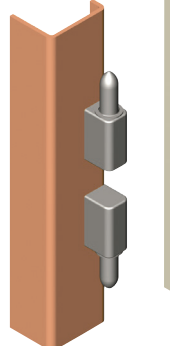
Type A



For Lift-Off Mounting



For Non Lift-Off Mounting



- Allows for quick, easy door removal
- Door can also be permanently installed

### Material and Finish

Zinc alloy, black powder coated

### Performance Details

	Radial Load	Axial Load
Maximum static load	1300 N (300 lbf)	2200 N (500 lbf)
Average ultimate load	3300 N (750 lbf)	9300 N (2100 lbf)

### Installation Notes

Screws not supplied.  
 Maximum tightening torque of screw: 8.5 N·m (75 in·lbf)  
 Calculate screw length using the following formula:  
 Door thickness + 10 (.400)

Tapped Hole	Part Number	
	Type A	Type B
Imperial 10-32	96-10-510-50	96-10-520-50
Metric M5 x 0.8	96-50-510-50	96-50-520-50

### Part Number

See table



# 96 Hinge

Lift-off · In-line · Zinc and stainless steel

- Allows for quick, easy door removal
- Door can also be permanently installed

### Material and Finish

Zinc alloy, chrome plated, powder coated or stainless steel

### Performance Details

Radial load

Maximum static load:

Zinc alloy: 1300 N (300 lbf)

Stainless steel: 3000 N (670 lbf)

Axial Load

Maximum static load:

Zinc alloy: 2200 N (500 lbf)

Stainless steel: 5000 N (1120 lbf)

### Installation Notes

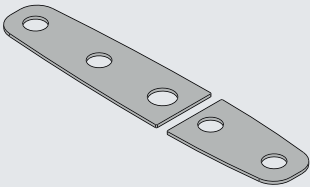
Screws not supplied.

Attach hinge with four M5 x 0.8

Maximum screw length = door (or frame) thickness + 10 (.400)

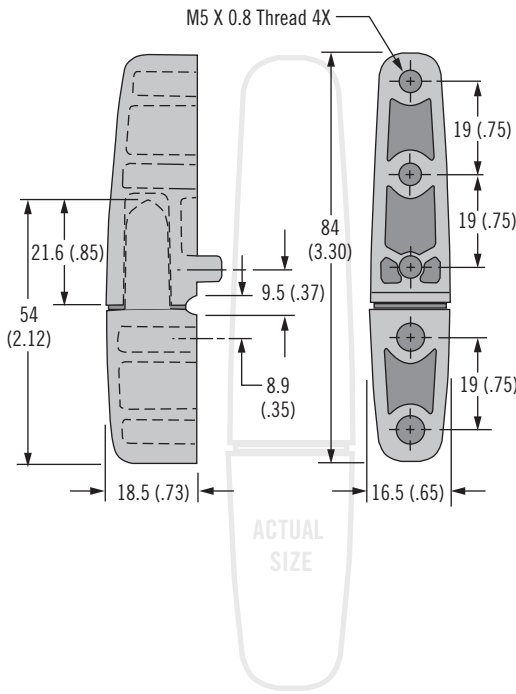
### Accessories

Black EPDM gasket kit 96-0-73469 (order separately)



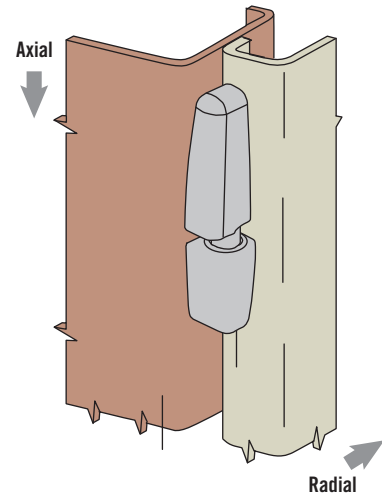
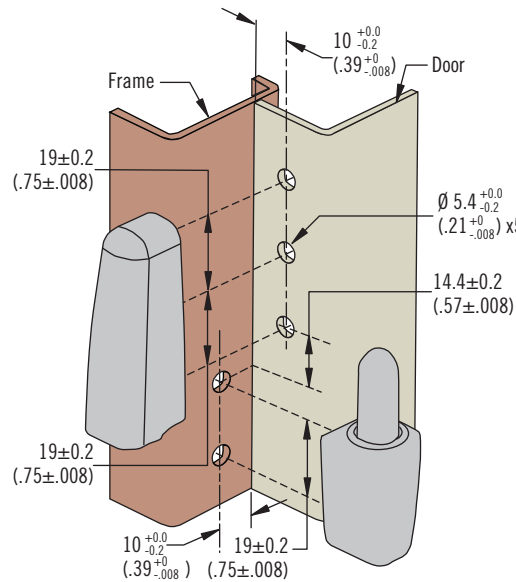
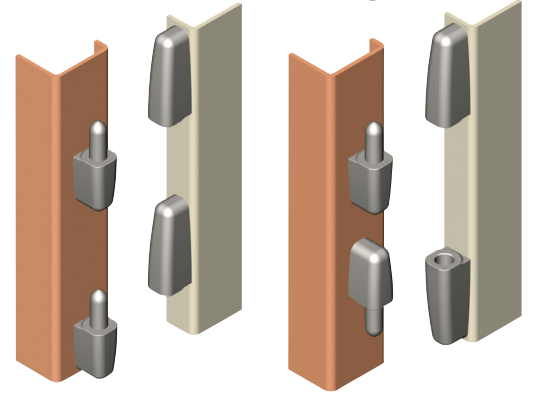
### Part Number

See table



For Lift-Off Mounting

For Non Lift-Off Mounting



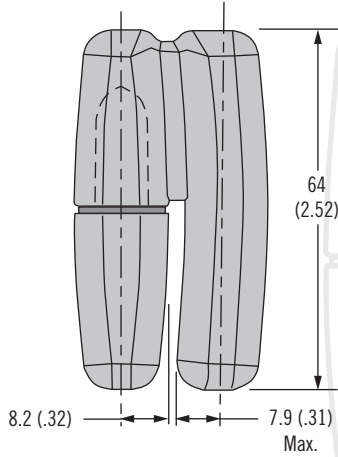
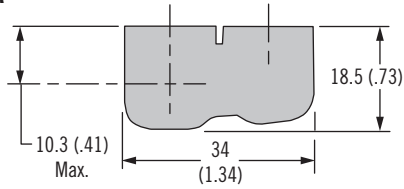
Material & Finish	Part Number
Zinc alloy, bright chrome	96-MA-80-10
Zinc alloy, black powder coated	96-MA-80-50
Zinc alloy, satin chrome	96-MA-80-20
Stainless steel, polished	96-MA-80-24

# 96 Hinge

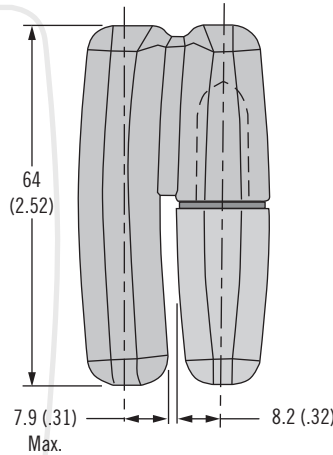
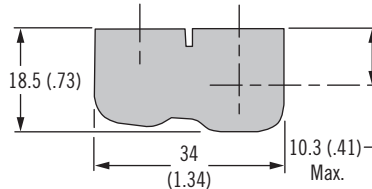
Lift-off · Offset · Zinc and stainless steel



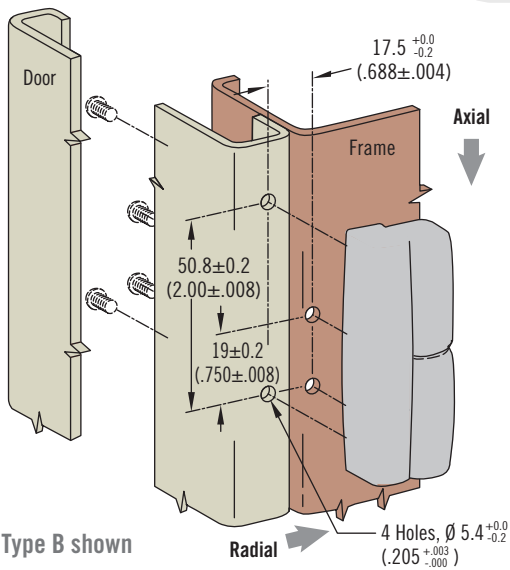
**Type A**



**Type B**



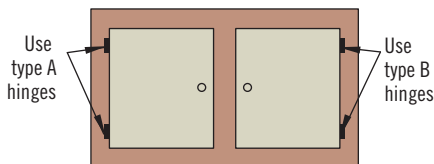
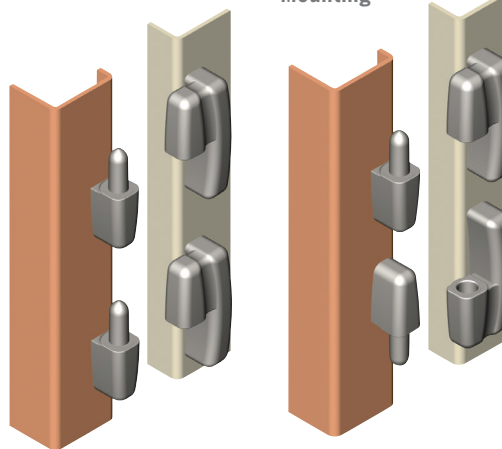
ACTUAL SIZE



**Type B shown**

**For Lift-Off Mounting**

**For Non Lift-Off Mounting**



- Allows for quick, easy door removal
- Door can also be permanently installed

**Material and Finish**

Zinc alloy, chrome plated, powder coated or stainless steel

**Performance Details**

Radial load

Maximum static load:

Zinc alloy: 1300 N (300 lbf)

Stainless steel: 3000 N (670 lbf)

Axial Load

Maximum static load:

Zinc alloy: 2200 N (500 lbf)

Stainless steel: 5000 N (1120 lbf)

**Installation Notes**

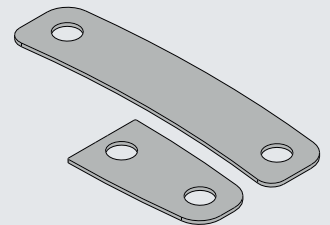
Screws not supplied.

Attach hinge with four M5 x 0.8

Maximum screw length = door (or frame) thickness + 10 (.400)

**Accessories**

Black EPDM gasket kit 96-25-8A-02 (order separately)



**Part Number**

See table

Material & Finish	Part Number	
	Type A	Type B
Zinc alloy, bright chrome	96-MA-8A-10	96-MA-8B-10
Zinc alloy, black powder coated	96-MA-8A-50	96-MA-8B-50
Zinc alloy, satin chrome	96-MA-8A-20	96-MA-8B-20
Stainless steel, polished	96-MA-8A-24	96-MA-8B-24



# 96 Hinge

Lift-off · In-line · Offset · Plastic

- Allows for quick, easy door removal
- Corrosion-resistant materials
- Door can also be permanently installed

### Material and Finish

Glass-filled nylon, black

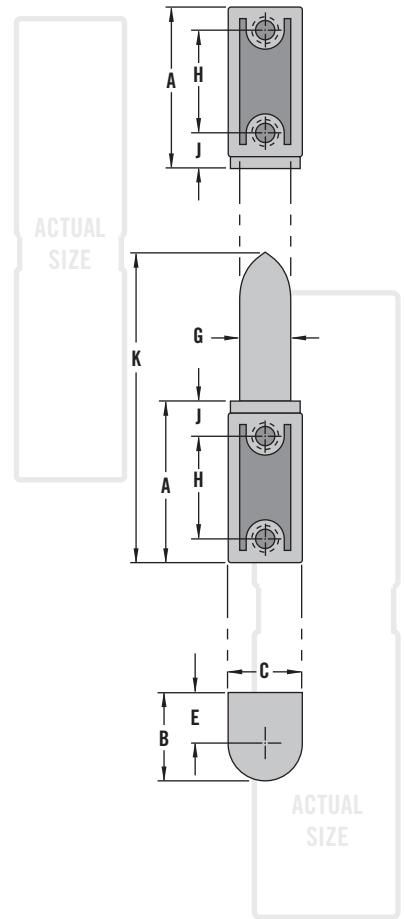
### Performance Details

300 Series	Radial Load	Axial Load
Maximum static load	670 N (150 lbf)	1560 N (350 lbf)
Average ultimate load	1100 N (250 lbf)	2500 N (550 lbf)

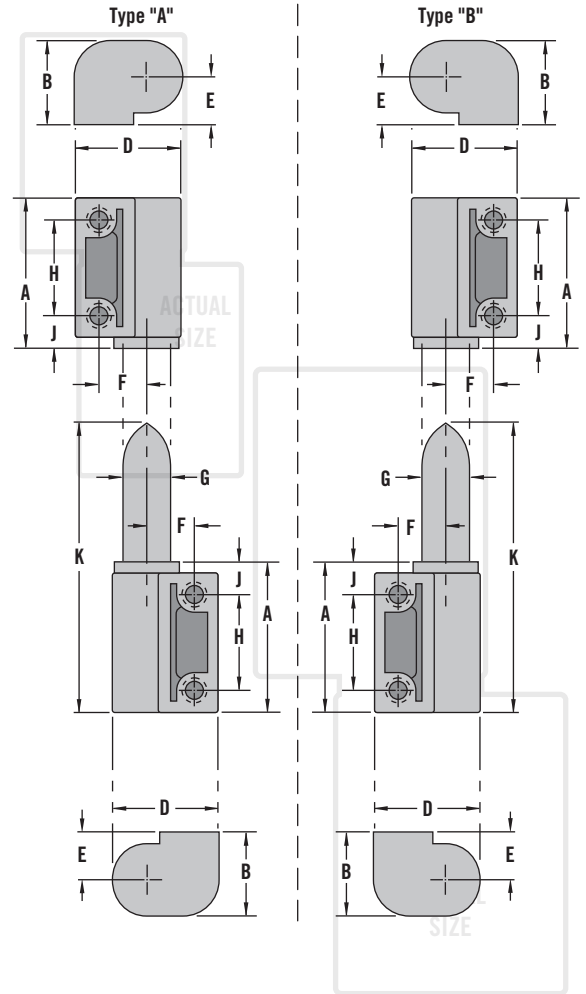
  

400 Series	Radial Load	Axial Load
Maximum static load	1000 N (225 lbf)	2000 N (450 lbf)
Average ultimate load	1900 N (425 lbf)	4900 N (1100 lbf)

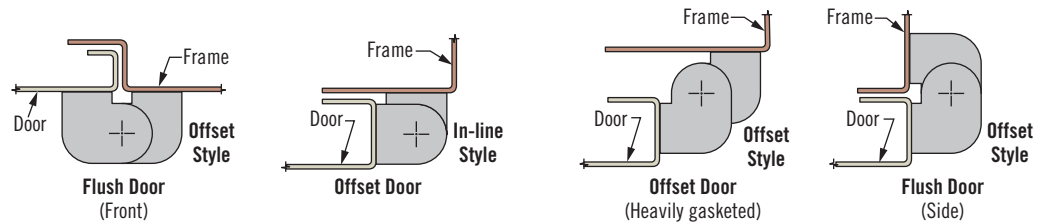
### In-Line Knuckle Style



### Offset Knuckle Style



### Mounting variations

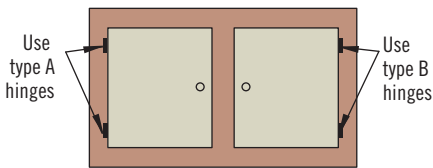
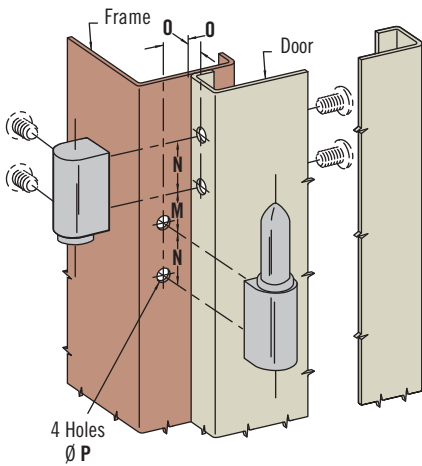
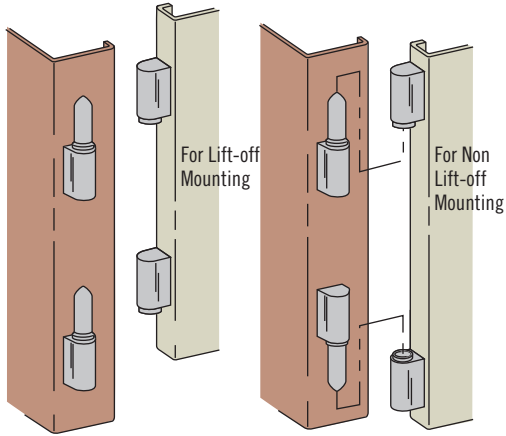


### Part Number

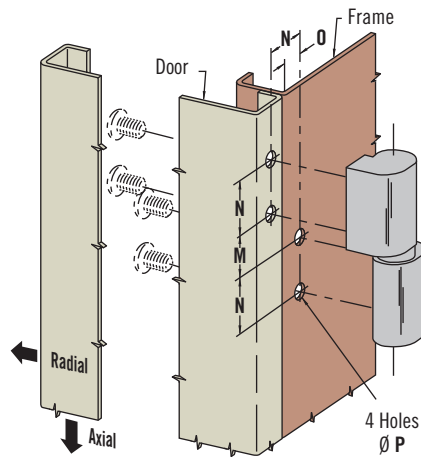
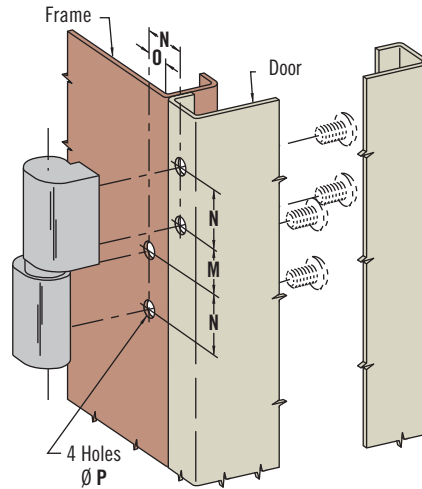
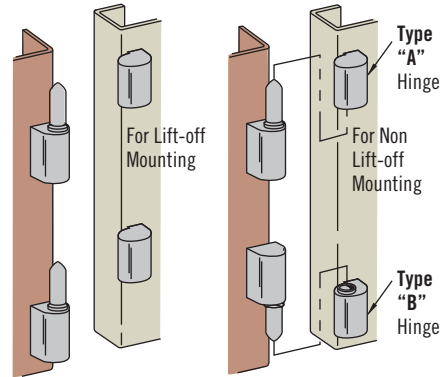
See table

Series	Tapped Hole	Dimensions								Part Number		
		A	B	C	D	E, F & G	H	J	K	In-Line Knuckle Style	Offset Knuckle Style	
											Type "A"	Type "B"
300	M5	31	16.7	14.3	21.5	9.5	19	7	58	96-50-300-11	96-50-310-11	96-50-320-11
	10-24	(1.22)	(.66)	(.56)	(.84)	(.38)	(.75)	(.28)	(2.28)	96-10-300-11	96-10-310-11	96-10-320-11
400	M6	41.3	22.2	19	28.5	12.7	25.5	9.5	78	96-50-400-11	96-50-410-11	96-50-420-11
	1/4-20	(1.63)	(.88)	(.75)	(1.13)	(.50)	(1.00)	(.38)	(3.06)	96-10-400-11	96-10-410-11	96-10-420-11

### In-Line Knuckle Style



### Offset Knuckle Style

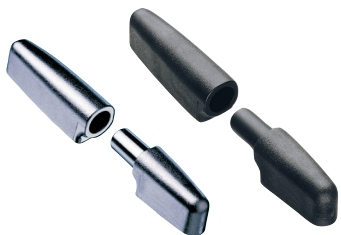


### Installation Notes

Screws not supplied  
 Maximum tightening torque of screw: 2.8 N·m (25 in·lbf)  
 Calculate screw length using the following formula:  
 Door thickness + adjustment value

Series	Adjustment Value	
	In-Line	Offset
300	4.8 (.19)	6.5 (.25) Min. to 9.5 (.38) Max.
400	6.4 (.25)	9.5 (.38) Min. to 12.7 (.50) Max.

Series	Installation Dimensions			
	M	N	O	P
300	14.3 <sup>+0.0</sup> <sub>-0.3</sub> (.563±.008)	19 <sup>+0.2</sup> <sub>-0.1</sub> (.750±.008)	9.5 <sup>+0.3</sup> <sub>-0.1</sub> (.375±.005)	5.4 <sup>+0.1</sup> <sub>-0.0</sub> (.205 <sup>+0.003</sup> <sub>-0.000</sub> )
400	19.0 <sup>+0.0</sup> <sub>-0.3</sub> (.750±.008)	25.5 <sup>+0.1</sup> <sub>-0.2</sub> (1.000±.008)	12.7 <sup>+0.2</sup> <sub>-0.1</sub> (.500±.005)	6.7 <sup>+0.1</sup> <sub>-0.0</sub> (.264 <sup>+0.003</sup> <sub>-0.000</sub> )



# 96 Hinge

Lift-off · In-line · Plastic

- Allows for quick, easy door removal
- Door can also be permanently installed

## Material and Finish

Black: Glass-filled nylon

Chrome: PC/ABS blend, chrome

## Performance Details

Black	Radial Load	Axial Load
Maximum static load	700 N (155 lbf)	1200 N (270 lbf)
Average Ultimate load	1000 N (224 lbf)	3500 N (785 lbf)

Chrome	Radial load	Axial load
Maximum static load	350 N (79 lbf)	900 N (202 lbf)
Average ultimate load	600 N (135 lbf)	2200 N (495 lbf)

## Installation Notes

Recommended tightening torque for mounting screws:

1.6 N·m (14 in·lbf)

Offset mount preparation:

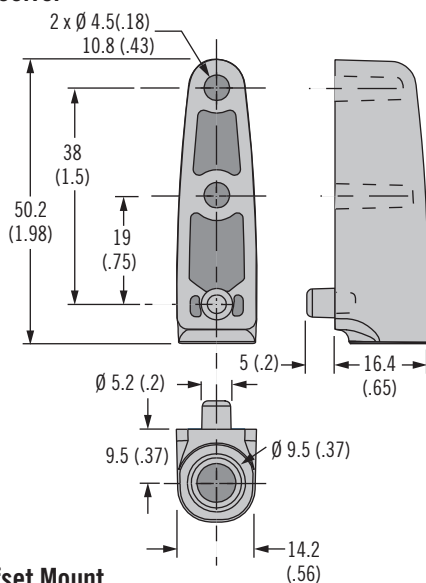
To allow for 180° rotation A or B must be  $8.5 \pm 1$  (.33±.04)

## Part Number

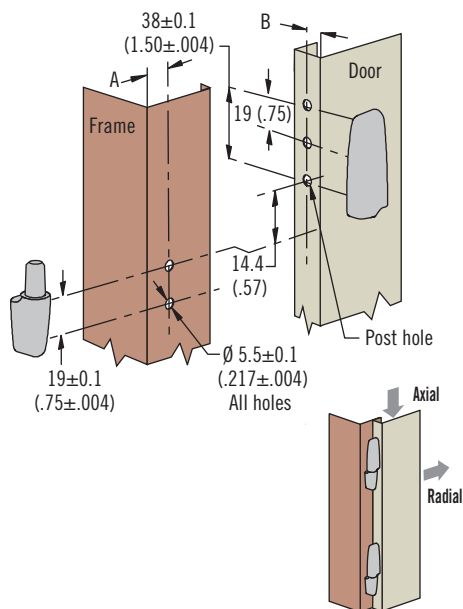
See table

Order pin, receiver and 4x screw separately

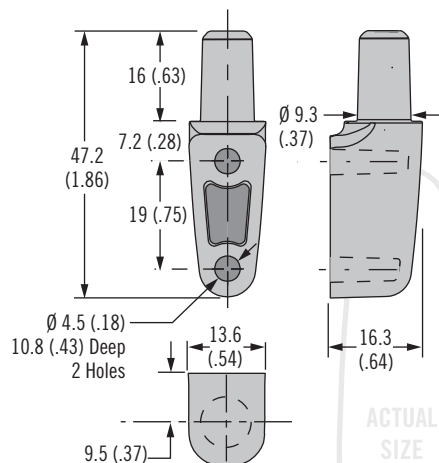
## Receiver



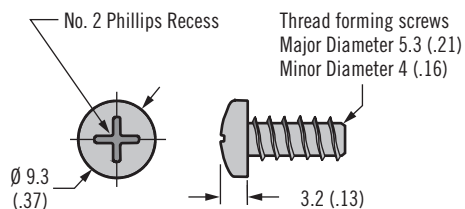
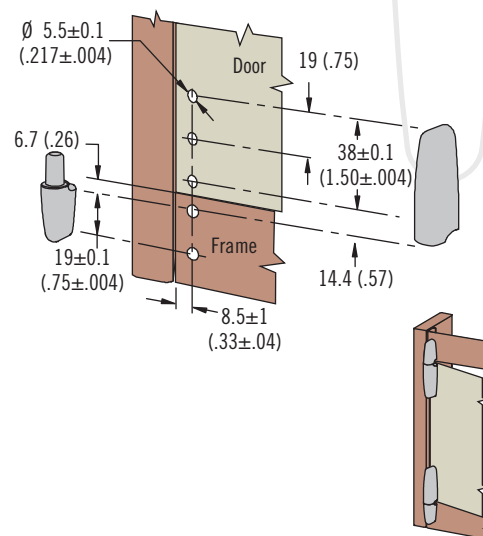
## Offset Mount



## Pin



## Flush Mount



Door Thickness	Part Number
	Screws (4 per bag)
1 - 4 (.04 - .16)	96-79-1
4 - 7 (.16 - .28)	96-79-2
7 - 10 (.28 - .39)	96-79-3
10 - 13 (.39 - .51)	96-79-4

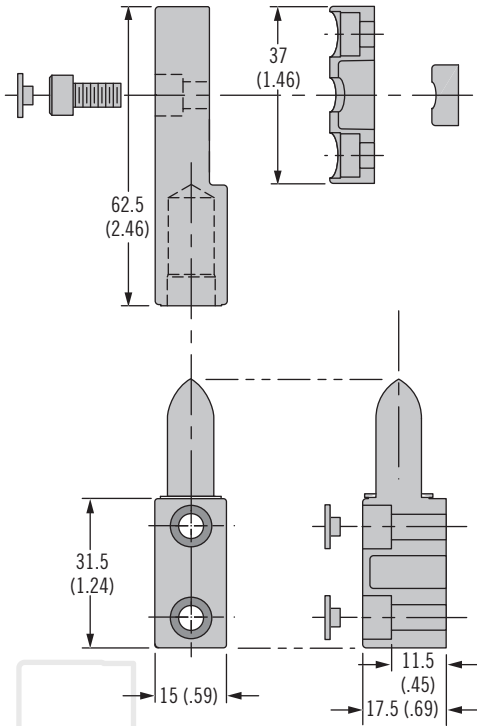
Finish	Part Number	
	Pin	Receiver
Black	96-710	96-720
Chrome	96-711	96-721

# 96 Hinge

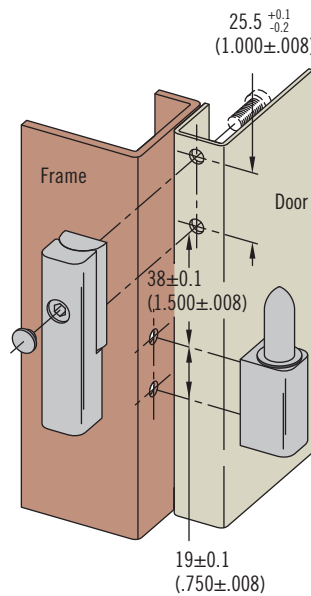
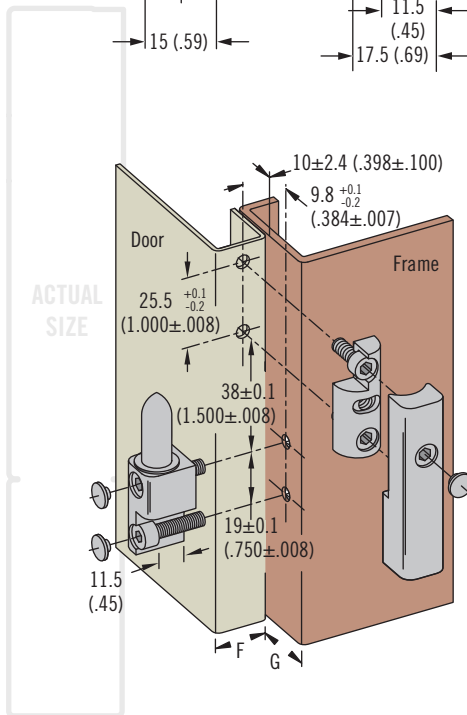
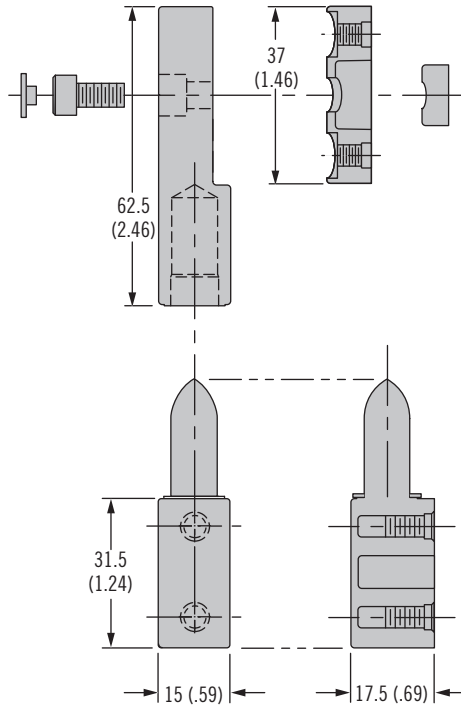
Lift-off · Adjustable compression · In-line · Zinc



## Front Mount



## Concealed Mount



- Adjusts to ensure gasket compression
- Allows for quick, easy door removal

### Material and Finish

Zinc alloy, black powder coated

### Installation Notes

Screws not supplied.

Maximum screw length equals door or frame thickness plus 7.5 (.30)

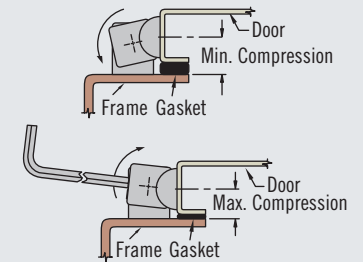
### Performance Details

	Radial Load	Axial Load
Maximum static load	1000 N (255 lbf)	2220 N (500 lbf)
Average ultimate load	1550 N (350 lbf)	14,000 N (3200 lbf)

### Notes

Hinges provide 5 (.20) of total adjustment

Either F Dimension or G dimension must be less than 19.8 (.78) for the door to open a full 180°



Install Style	Tapped Hole	Part Number
Front mount	Thru hole	96-10-572
Concealed mount	10-32 Imperial	96-10-570
	M5 x 0.8 Metric	96-50-570

### Part Number

See table



# 96 Hinge

Lift-off · In-line · Zinc

- Allows for quick, easy door removal
- Concealed installation

### Material and Finish

Zinc alloy, black powder coated

### Performance Details

	Radial Load	Axial Load
Maximum static load	1100 N (250 lbf)	1250 N (280 lbf)
Average ultimate load	2400 N (530 lbf)	2600 N (580 lbf)

### Installation Notes

Screws not supplied.

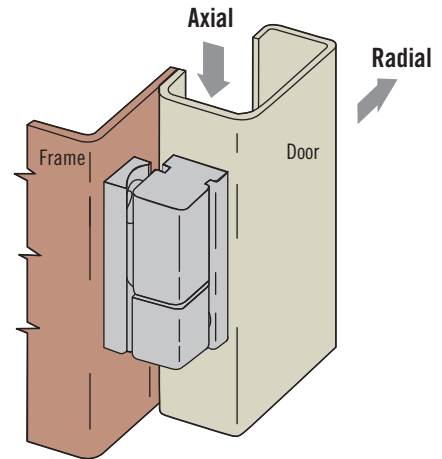
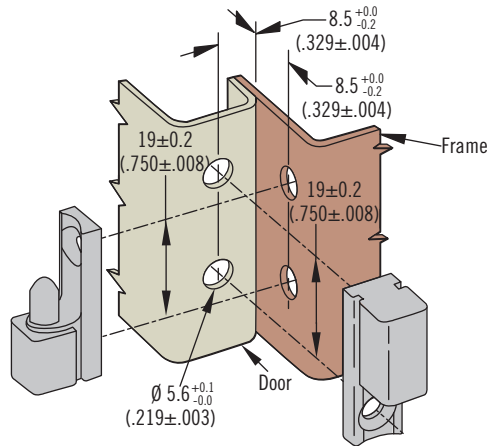
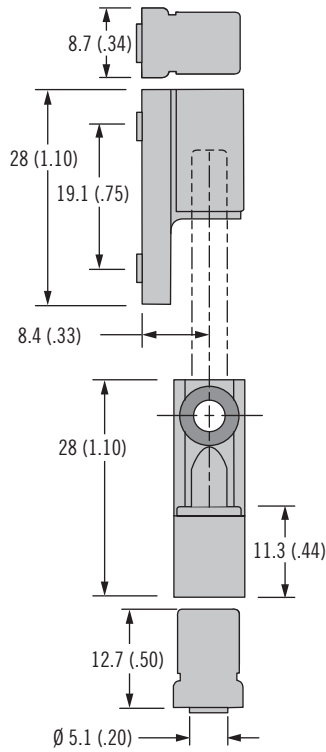
Recommended tightening torque for mounting screws:

1.1 N·m (10 in·lbf)

Calculate screw length using the following formula:

Door / frame thickness +5 (.20)

### In-Line



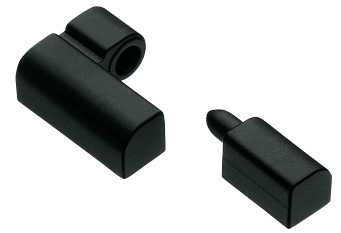
### Part Number

See table

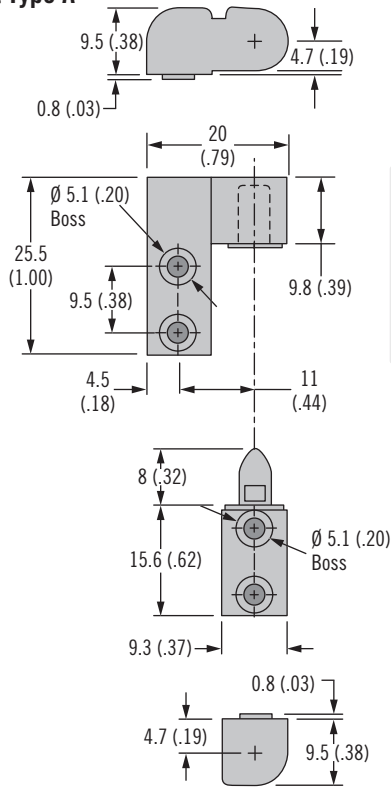
Tapped Hole	Part Number
Imperial 6-32	96-110
Metric M4 x 0.7	96-140

# 96 Hinge

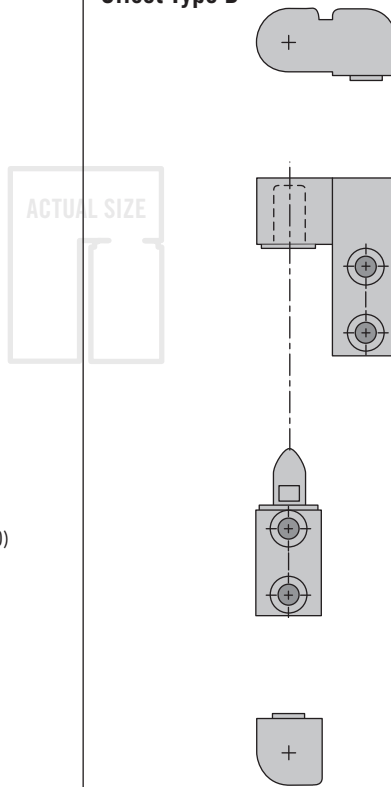
Lift-off · Offset · Zinc



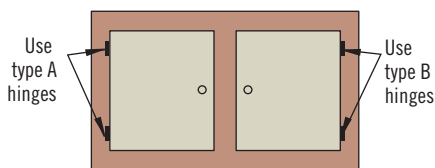
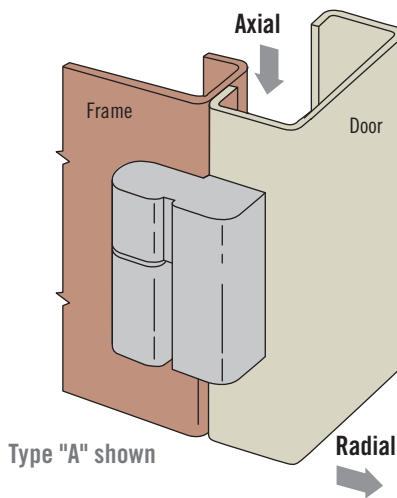
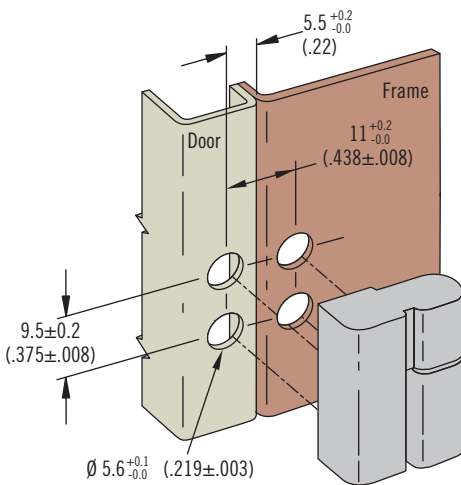
## Offset Type A



## Offset Type B



ACTUAL SIZE



- Allows for quick, easy door removal
- Door can also be permanently installed

## Material and Finish

Zinc alloy, black powder coated

## Performance Details

	Radial Load	Axial Load
Maximum static load	1100 N (250 lbf)	1250 N (280 lbf)
Average ultimate load	3300 N (750 lbf)	2600 N (580 lbf)

## Installation Notes

Screws not supplied.  
 Recommended tightening torque for mounting screws:  
 1.1 N·m (10 in·lbf)  
 Calculate screw length using the following formula:  
 Door / frame thickness +5 (.20)

Tapped Hole	Part Number	
	Type A	Type B
Imperial 6-32	96-111	96-112
Metric M4 x 0.7	96-141	96-142

## Part Number

See table