



**MU100H140AQ\_0-10V**

Moons Industries

[Buy Now](#)



Looking for a discount?

[Check out our current promotions!](#)

Give us a call

**1-855-837-4225**

International: 1-415-281-3866

## Email Us

Sales and New Orders: [sales@verical.com](mailto:sales@verical.com)

Order Support: [support@verical.com](mailto:support@verical.com)

Suppliers: [Visit our seller page](#)

## Company Address

Arrow Electronics, Inc  
9201 East Dry Creek Road  
Centennial, CO 80112

# MU100H Series

## Features

- Input voltage: 90-305VAC
- High efficiency: 91% typical
- Active PFC: 0.99 typical
- High surge immunity
- Low THD
- IP67 compliant
- Protections: OVP, OCP, OTP, SCP
- Constant Current / 0-10V Dimming / Clock Dimming(CLK) / Standby(STB)
- Compliance to worldwide safety regulations for lighting
- Suitable for dry/damp locations
- CUL / CE
- 5-year warranty



187 x 67.5 x 40mm

## Electrical Specifications

Input voltage range	90~305VAC
Frequency	47~63Hz
Power factor	0.99 ( typical ) , > 0.90 100~277VAC input, 80%~100% load
Input current	1.2A at 110VAC, 0.6A at 220VAC
Inrush current	15A at 230VAC input
Leakage current	1mA MAX at 277Vac/50Hz input
Maximum output power	100W
Line regulation	± 1%
Load regulation	± 3%
Start-up time	<3s at 110VAC, <1.5s at 220VAC
Protections	over voltage, over current, over temperature, short circuit: auto recovery
THD	< 10% , 220VAC, 50Hz input, 80%~100% load < 15% , 110VAC/277VAC, 60Hz input, 80%~100% load

## Environmental Specifications

Operating temperature	-40°C ~ +70°C
Operating humidity	10 ~ 100% RH
Storage temperature	-40°C ~ +80°C
Storage humidity	5 ~ 100% RH
Cooling method	convection
Isolation voltage	input / output 3750VAC
MTBF	300,000 hours full load at 25°C ambient
Life time	50,000 hours, 75°C TC
Reference dimension (L x W x H)	187 x 67.5 x 40 (mm)
Weight	0.85 kg

## Safety & EMC Compliance

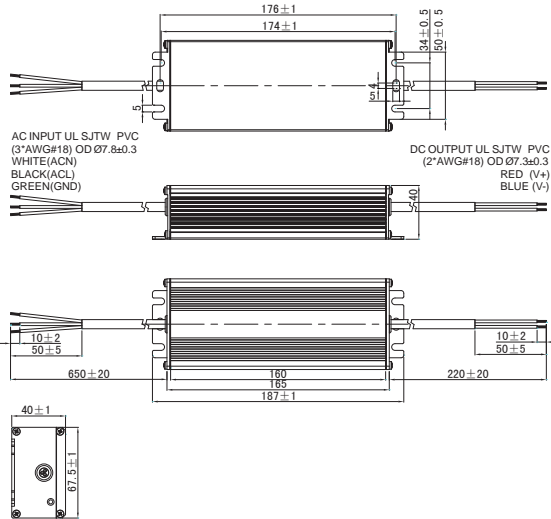
CUL	UL8750, UL1012, UL1310, CSA-C22.2 NO. 107.1, CSA-C22.2 NO. 223-M91
CE	EN 61347-1, EN61347-2-13
Conducted emissions	FCC Part15 / EN55015 Class B
Radiated emissions	FCC Part15 / EN55015 Class B
Harmonic current emissions	EN61000-3-2
Voltage fluctuations and flicker	EN61000-3-3
Electrostatic discharge	EN61000-4-2
RFE field susceptibility	EN61000-4-3
Electrical fast transient	EN61000-4-4
Surge immunity test	EN61000-4-5 ( Surge: L-N, 4KV, L/N-Earth, 6KV )
Conducted radio frequency	EN61000-4-6
Power frequency magnetic field test	EN61000-4-8
Voltage dips	EN61000-4-11
Electromagnetic immunity	EN61547

## Model Specifications

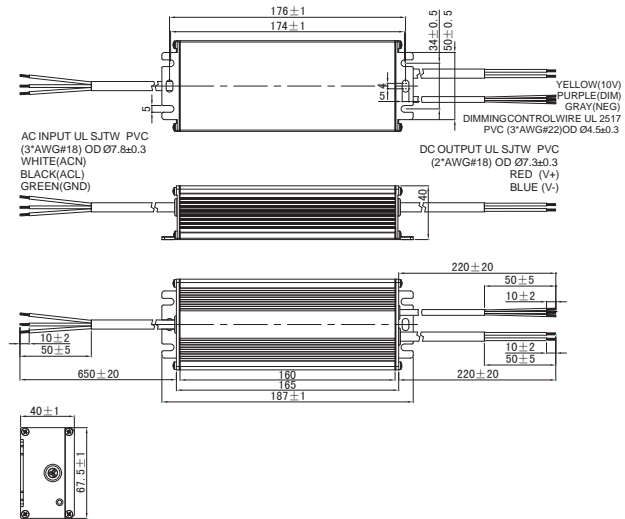
Model				Output Current	Output Voltage	Current Accuracy	Efficiency (typical)	
Constant Current	0-10V Dimming	Clock Dimming	Standby				110Vac	220Vac
MU100H035AQ	MU100H035AQ_0-10V	MU100H035AQ_CLK	MU100H035AQ_STB	350mA	143-286VDC	± 5%	89.0%	91.0%
MU100H045AQ	MU100H045AQ_0-10V	MU100H045AQ_CLK	MU100H045AQ_STB	450mA	111-222VDC	± 5%	89.0%	91.0%
MU100H053AQ	MU100H053AQ_0-10V	MU100H053AQ_CLK	MU100H053AQ_STB	530mA	94-188VDC	± 5%	89.0%	91.0%
MU100H070AQ	MU100H070AQ_0-10V	MU100H070AQ_CLK	MU100H070AQ_STB	700mA	71-143VDC	± 5%	89.0%	91.0%
MU100H105AQ	MU100H105AQ_0-10V	MU100H105AQ_CLK	MU100H105AQ_STB	1050mA	48-95VDC	± 5%	88.0%	90.0%
MU100H140AQ	MU100H140AQ_0-10V	MU100H140AQ_CLK	MU100H140AQ_STB	1400mA	36-71VDC	± 5%	88.0%	90.0%
MU100H175AQ	MU100H175AQ_0-10V	MU100H175AQ_CLK	MU100H175AQ_STB	1750mA	27-55VDC	± 5%	88.0%	90.0%
MU100H210AQ	MU100H210AQ_0-10V	MU100H210AQ_CLK	MU100H210AQ_STB	2100mA	23-46VDC	± 5%	87.0%	89.0%
MU100H245AQ	MU100H245AQ_0-10V	MU100H245AQ_CLK	MU100H245AQ_STB	2450mA	19-39VDC	± 5%	87.0%	89.0%
MU100H280AQ	MU100H280AQ_0-10V	MU100H280AQ_CLK	MU100H280AQ_STB	2800mA	17-34VDC	± 5%	87.0%	89.0%
MU100H315AQ	MU100H315AQ_0-10V	MU100H315AQ_CLK	MU100H315AQ_STB	3150mA	15-30.5VDC	± 5%	86.0%	88.0%
MU100H375AQ	MU100H375AQ_0-10V	MU100H375AQ_CLK	MU100H375AQ_STB	3750mA	13-27VDC	± 5%	86.0%	88.0%
MU100H420AQ	MU100H420AQ_0-10V	MU100H420AQ_CLK	MU100H420AQ_STB	4200mA	12-23VDC	± 5%	86.0%	88.0%

## Mechanical Outline (unit: mm)

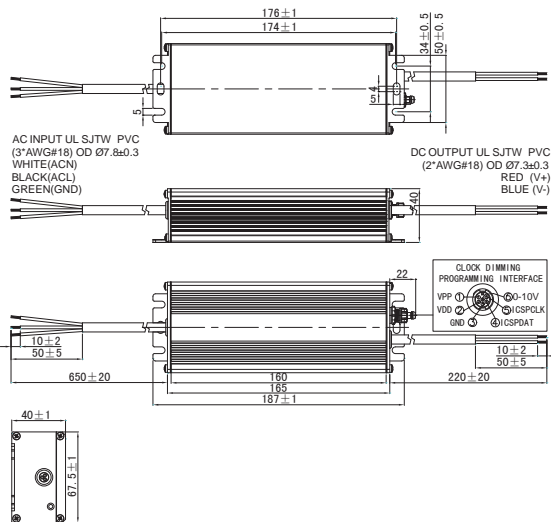
### Constant Current



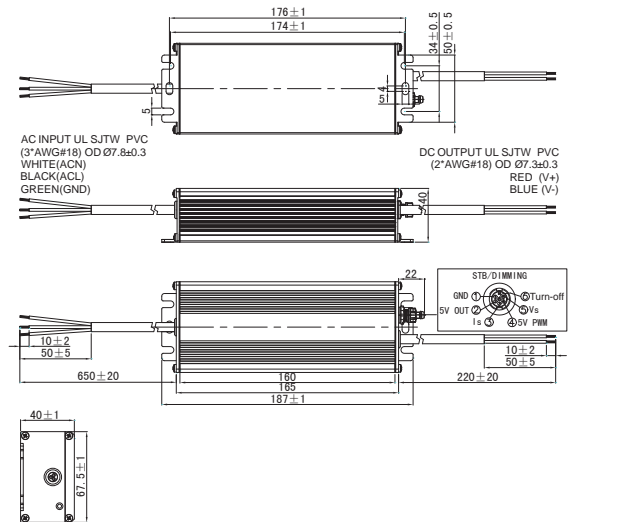
### 0-10V Dimming



### Clock Dimming



### Standby



Numbering System

LED Driver - General Series - Outdoor Use - A Series

LED Driver - General Series - Outdoor Use - H Series

LED Driver - General Series - Outdoor Use - Half Potail Series

LED Driver - Outdoor Use - Down Type

LED Driver - General Series - Indoor Use

LED Driver - Intelligent Series - 30W Intelligent Series

LED Driver - Intelligent Series - 30W Intelligent

LED Driver - Programmable Series - Clock Control Series

General Power Supplies - MF Series

SPD

Appendix